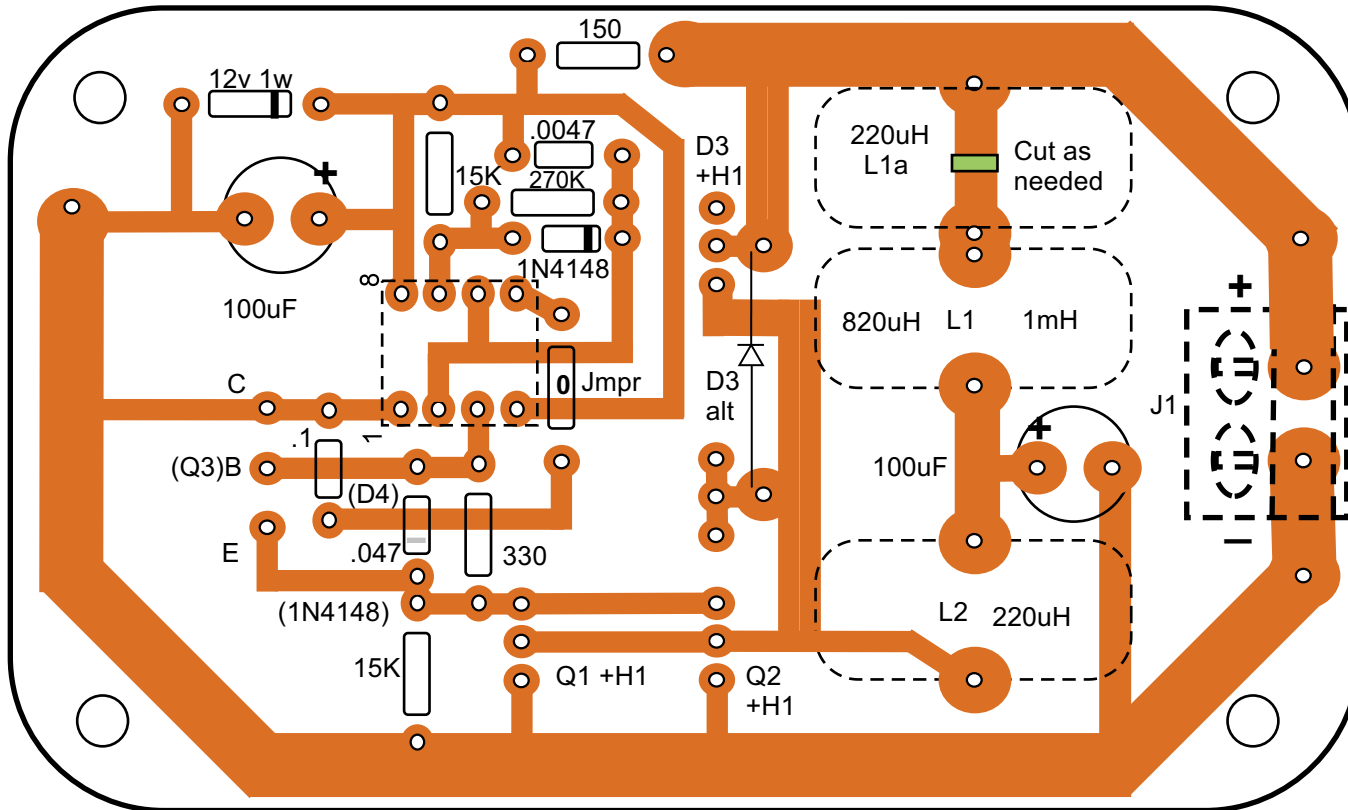


Desulfator PCB Artwork

Based on Loring Eng Schematic
W5USJDrawing 10Sep '09

Note: This is strictly a mechanical drawing. No Gerber files
No silkscreen or solder mask. Intended for use with PCB
presensitized for positive artwork (MG Chemicals Process)



R0 0 Ohm Jumper
R1 150
R2-R5 15k
R3 270k
R4 330

C1-C5 100uF
C2 .1
C3 .0047
C4 .047

Q1 STP55NF06L
Q2 optional
Q3 2n3906

D1 12V 1W Z
D2 1N4148
D3 MUR620CT (TO-220)
Alt UF5440-E3 (DO-201AD)
Alt RHRP3060-Q (TO-220)
D4 1N4148

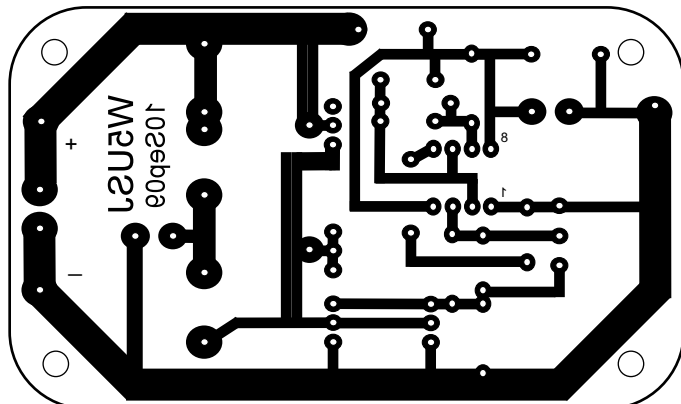
U1 NE555

L1 820uH (1mH)
L2 220uH
Miller vert mount 2100 series
toroids only 820uH, horizontal
mount available in 1mH.

J1 Kobicon Terminal Block
H1 Aavid Heat Sink

For turn-off enhancement leave out C3, .047 and R4, 330 Ohm Add Q3, 2N3906 and D4 1N4148
Q2 optional if a second FET is needed, D3 can be axial lead or TO-220 part. L1 toroid 820 + 220uH or 1mH

1x Positive Artwork (flipped for printing on transparencies)



Mouser Part Numbers (\$ 1ea):

R0
R1 660-CF1/4C151J (.15)
R2, R5 660-CF1/4C153J (.15)
R3 660-CF1/4C274J (.15)
R4 660-CF1/4C331J (.15)

C1, C5 647-UPW1E101MED (.26)
C2 80-C320C104K5R (.15)
C3 140-PEI2A472K-RC (.13)
C4 140-PEI2A473K-RC (.23)

Q1 511-STP55NF06L (1.30)
Q2 A/R
Q3 512-2N3906BU (.07)

D1 512-1N4742A (.06)
D2, D4 512-1N4148A (.05)
D3 863-MUR620CTG (.63)
U1 511-NE555N (.47)
J1 158-P02EK500A2-E (.58)

H1 532-507302B00
L1 542-2100HT-821V-RC (2.61)
L2 542-2100HT-221V-RC (2.61)

Jameco Part Numbers:

L1 371979 1mH Vert (1.25)
L2 371899 220uH Vert (1.25)