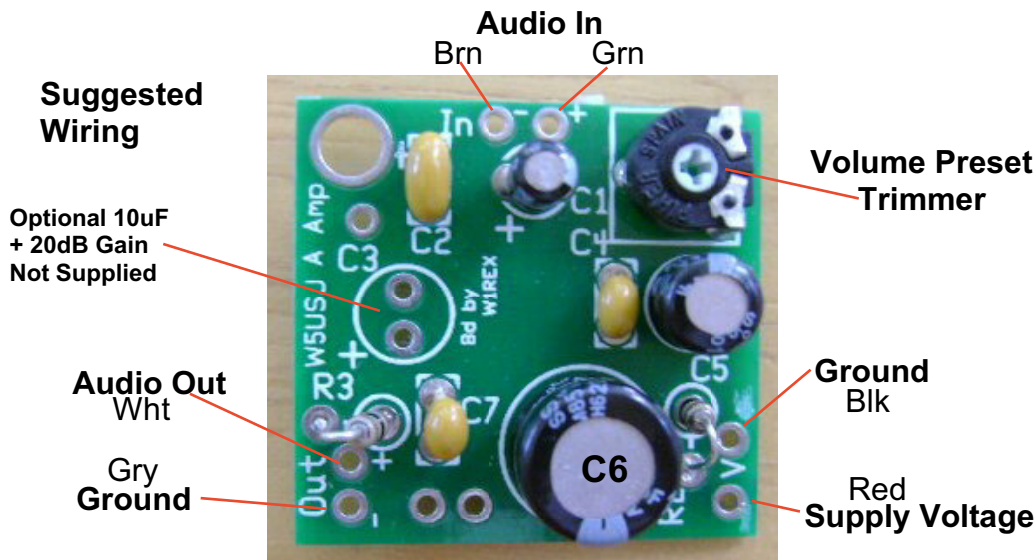
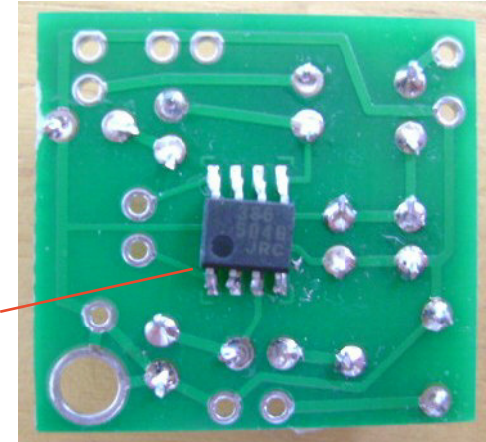


Mini Audio Amp by W5USJ

W5USJ Dwg. 11 Jun, 2010



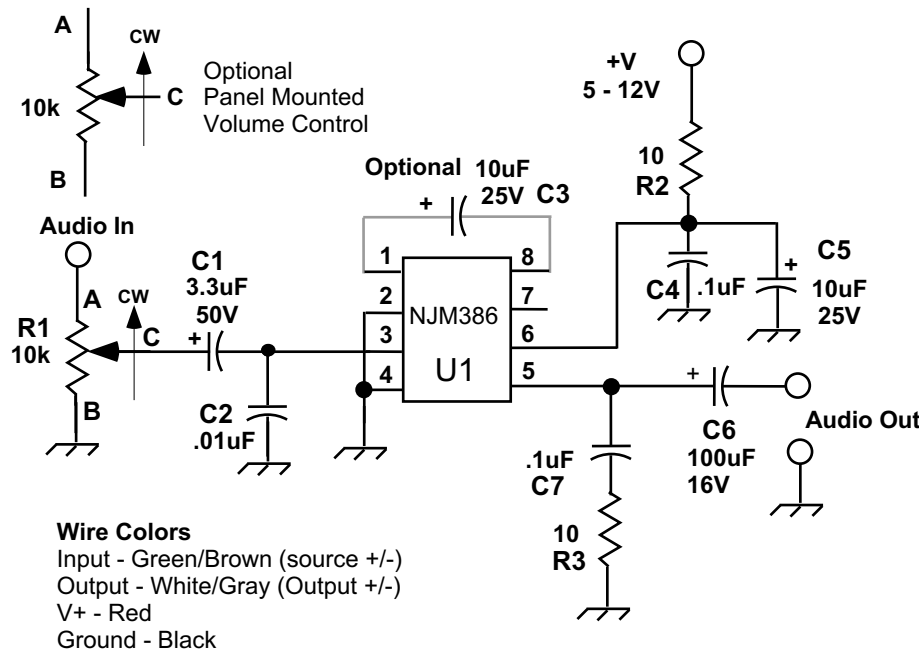
Yes, it's not quite straight but it is soldered OK!



IC Chip Orientation

Note:

The purpose of the Mini Audio Amp is to provide improved volume for equipment having limited audio output. Examples include weak piezo buzzers and low headphone volume. The volume trimmer is preset to the desired level and used without further adjustment. Optionally, you can connect a panel volume control in place of the preset trimmer volume adjustment.



Parts List:

- C1 = 3.3uF 50V 4mm x 7mm
- C2 = .01 uF 50V Radial Ceramic
- C3 = Optional, 10uF 25V -- for added 20dB gain
- C4 = .1 uF 50V Radial Ceramic
- C5 = 10uF 25V 4mm x 7mm
- C6 = 100uF 16V 6.3mm x 7mm
- C7 = .1uF 50V Radial Ceramic
- R1 = 10k Ohm 6mm Trimmer
- R2, R3 = 10 Ohm 1/8 Watt 5%
- U1 = JRC NJM386 -- soldered on circuit side

PCB = 2.5cm x 2.5cm Dbl side plated thru holes.
 Wire = 2.75 in Length of 10 Conductor cable

Mouser Parts Numbers:

- C1 = 3.3uF 50V -- 647-USR1H3R3MDD
- C2 = .01 uF 50V -- 80-C320C103K5R
- C3, C5 = 10uF 25V -- 647-USR1E100MDD
- C4, C7 = .1 uF 50V -- 80-C320C104K5R
- C6 = 100uF 16V -- 647-USR1C101MDD
- R1 = 10k Ohm Trimmer -- 531-PT6KV-10K
- R2, R3 = 10 Ohm 1/8 Watt 5% -- 299-10-RC
- U1 = JRC NJM386 SOIC -- 513-NJM386E (~\$3.00 as of 22 May 2010)