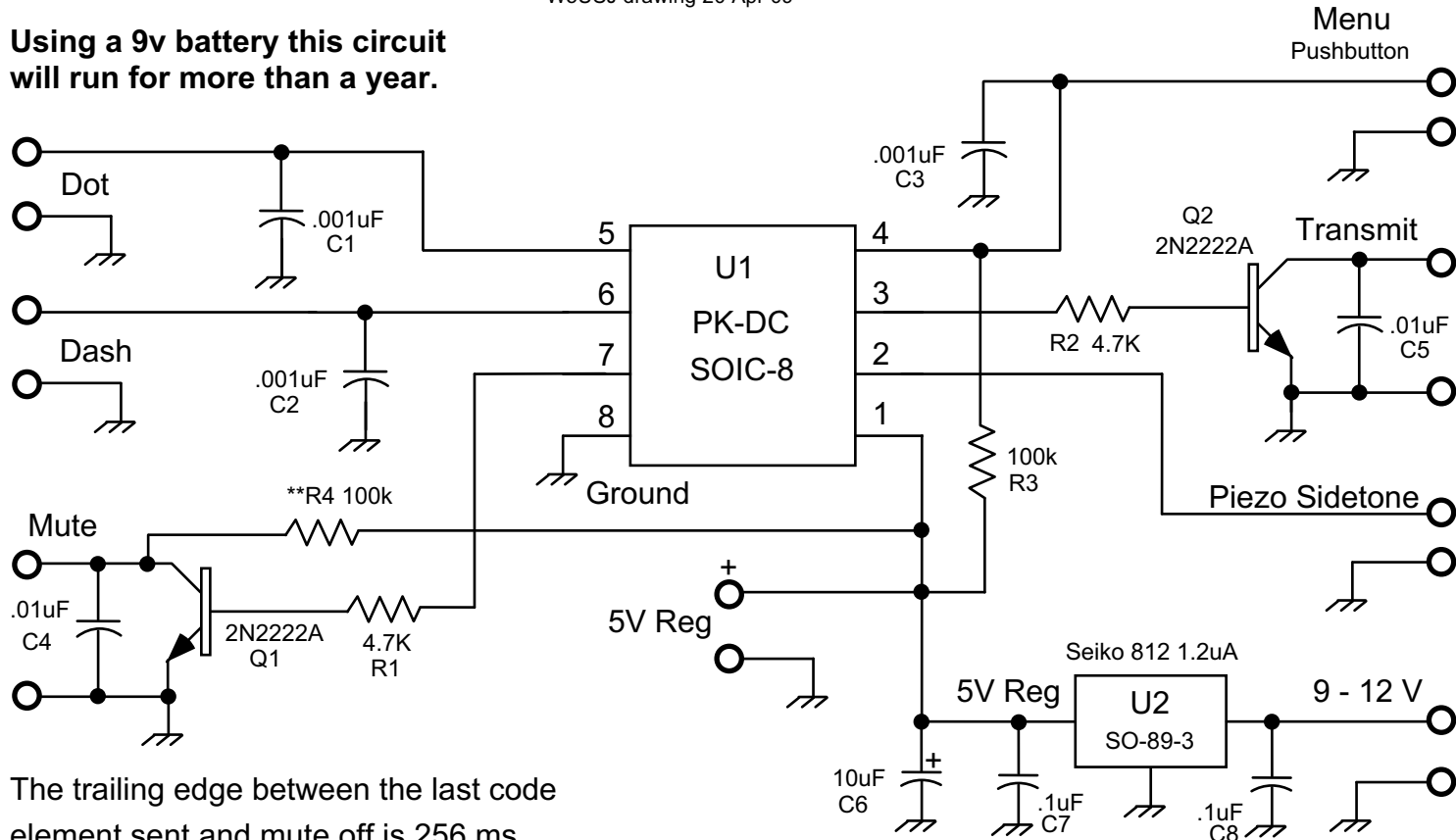


# SMT PK-DC Keyer v2a

W5USJ drawing 20 Apr 09

**Using a 9v battery this circuit will run for more than a year.**

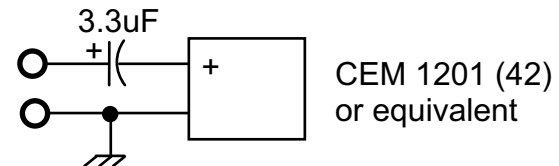


The trailing edge between the last code element sent and mute off is 256 ms.

The leading edge between the mute on and the first code element is 15 ms

\*\* Pullup required for use with the SMT MRX-40, i.e., the muted circuit requires a pullup or equiv.

Note: See LOM for actual SM part types used



Optional Dynamic Speaker Sidetone