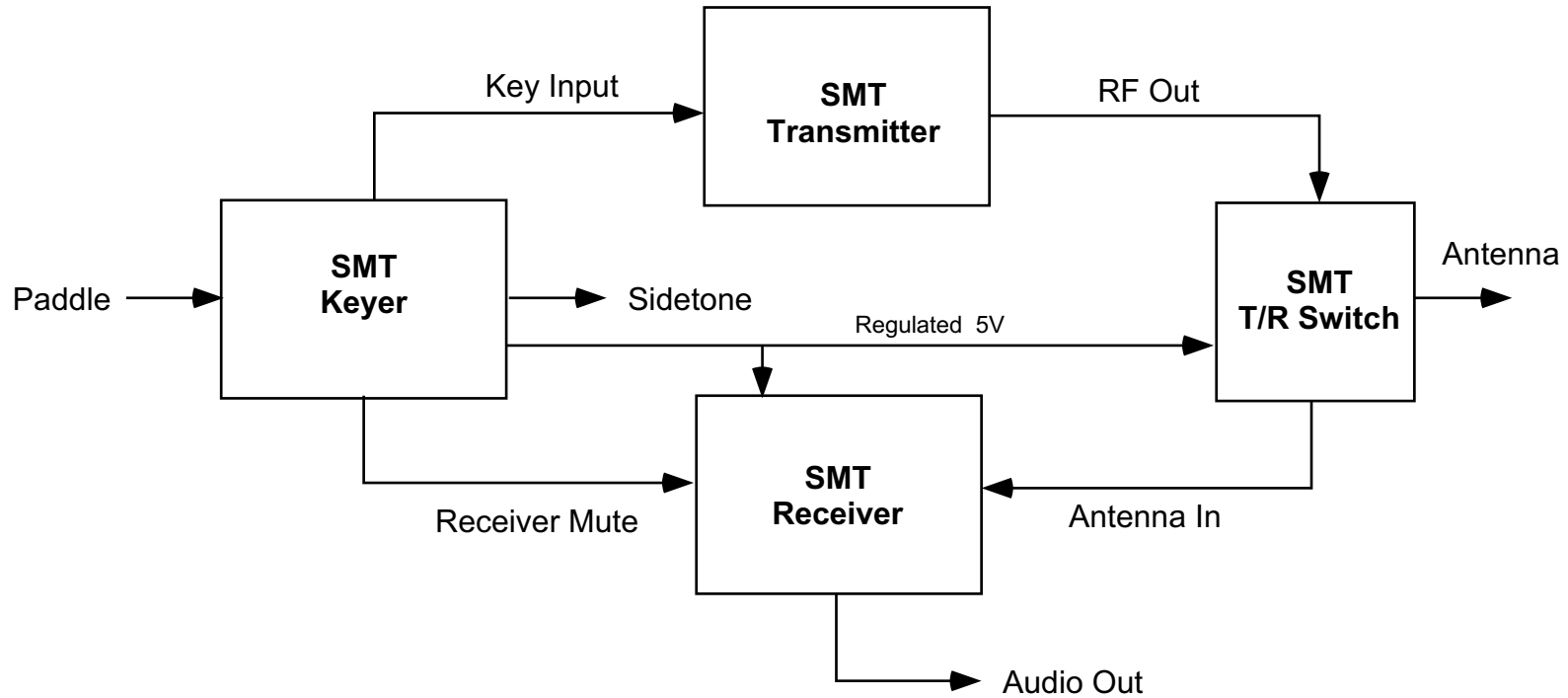


SMT Keyer Transmitter Receiver T/ R Switch Block Diagram

W5USJ 12 Feb 09



Note: 5V SMT regulators can be left off individual SMT Receiver and T/R switch assemblies and supplied as shown