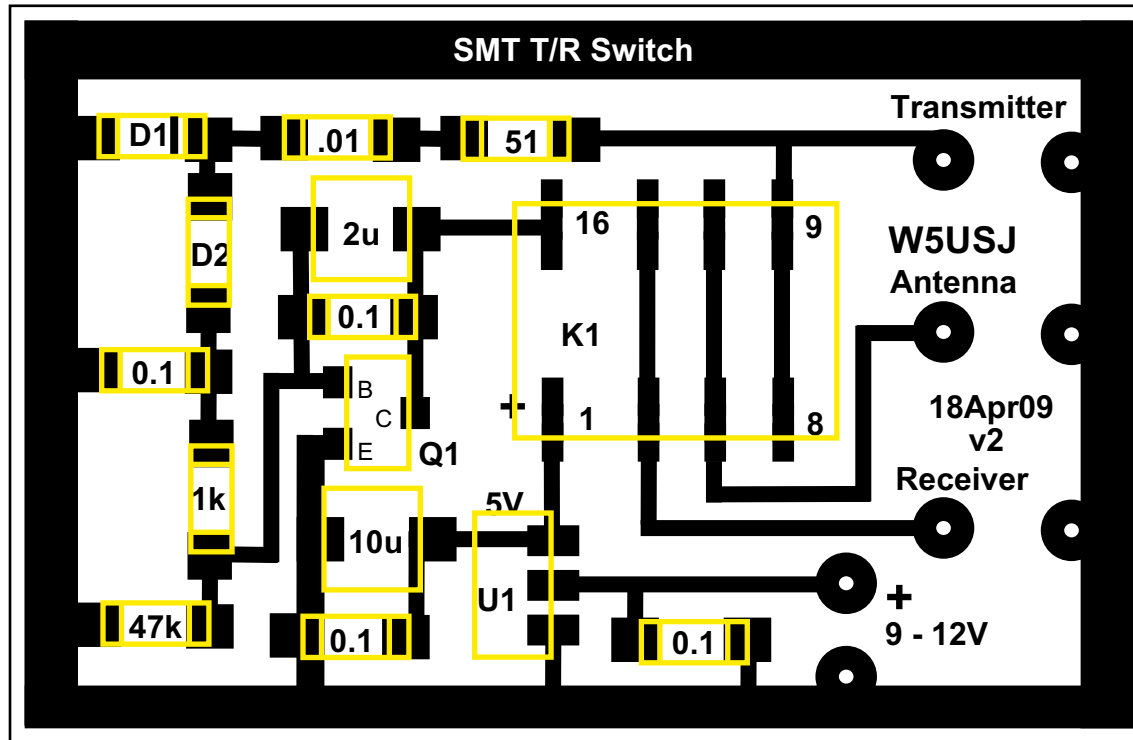
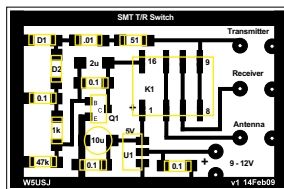


Assembly View

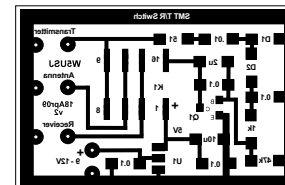


Etched View

1 X



Contact View



SMT T/R Switch v2

W5USJ drawing 18 Apr 09