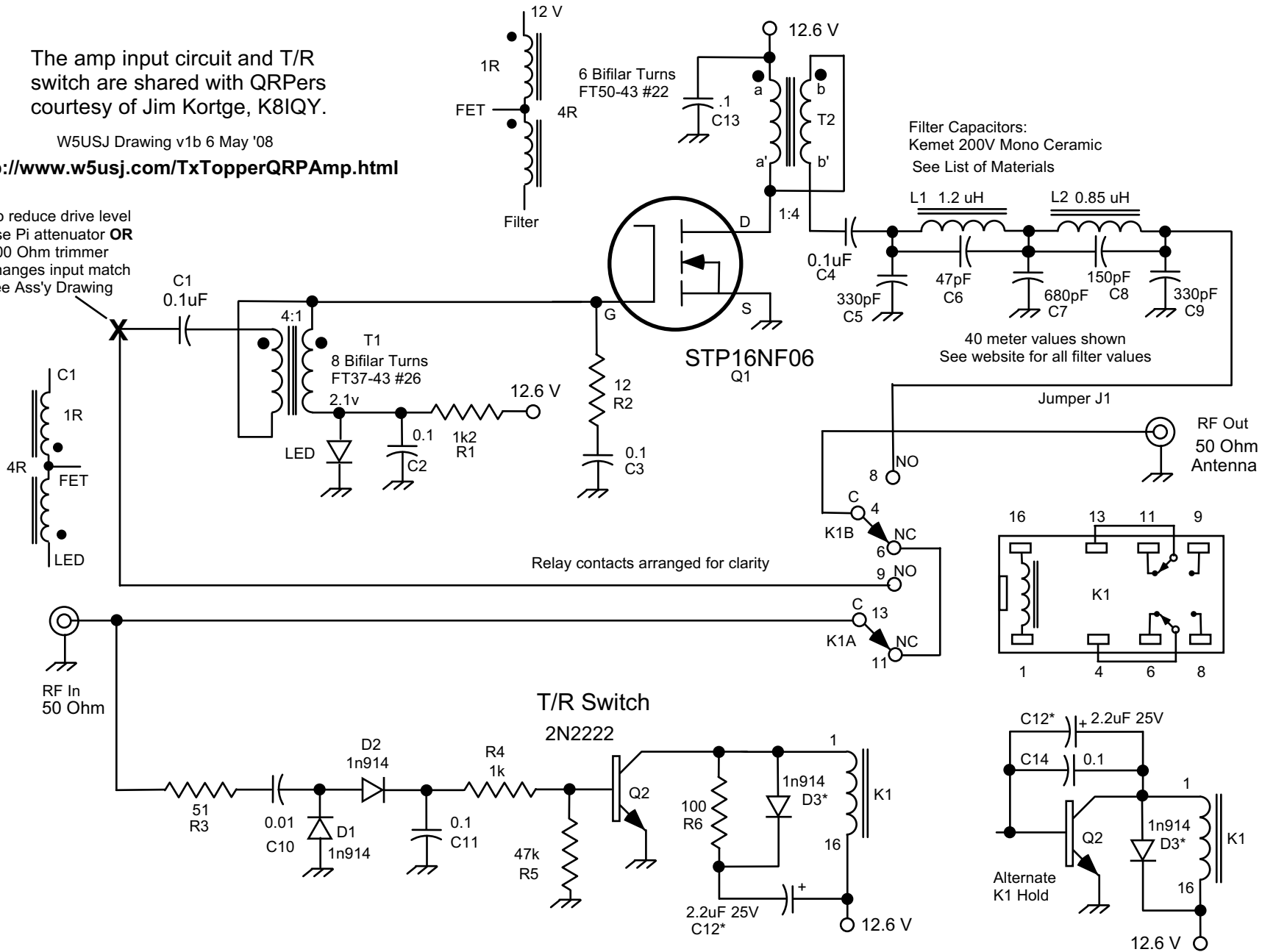


The amp input circuit and T/R switch are shared with QRPers courtesy of Jim Kortge, K8IQY.

W5USJ Drawing v1b 6 May '08

<http://www.w5usj.com/TxTopperQRPamp.html>

To reduce drive level use Pi attenuator OR 500 Ohm trimmer Changes input match See Ass'y Drawing



TxTopper (aka Tuna Topper) QRP Amp for T/TT2-40, DC40 and "Mites Etc.