

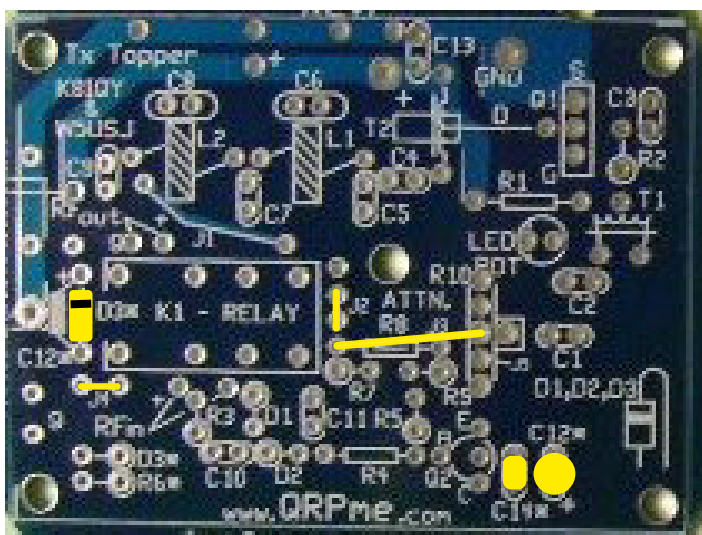
Tx/Tuna Topper][Jumper Installation Configurations

W5usj Drawing 10 Oct '09

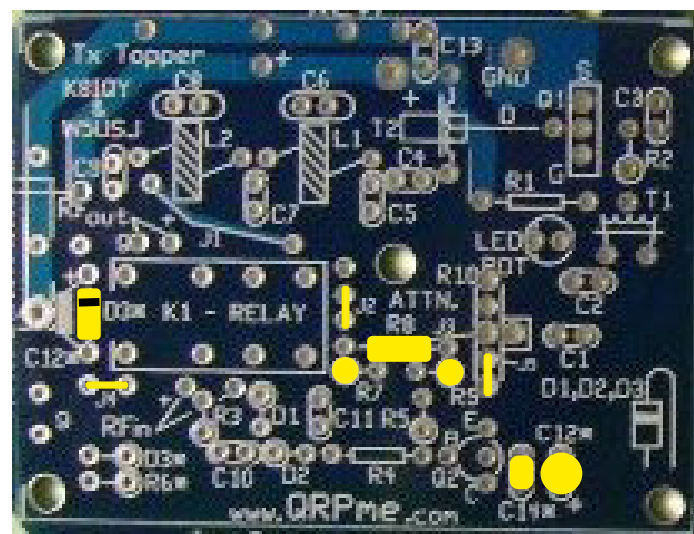
See also New Blue Tx/Tuna Topper][PCB revisions drawing

Note: J1 is now etched on the board, no actual jumper is required. Holes left in place for possible future use

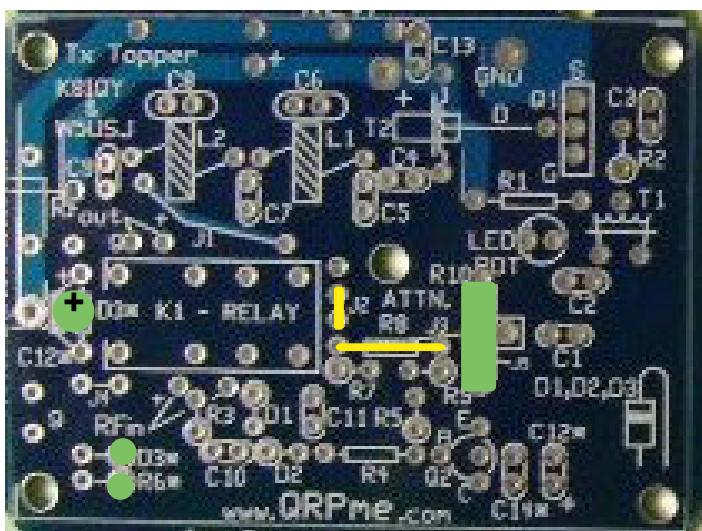
Transceiver, Slow Relay, No Attenuator



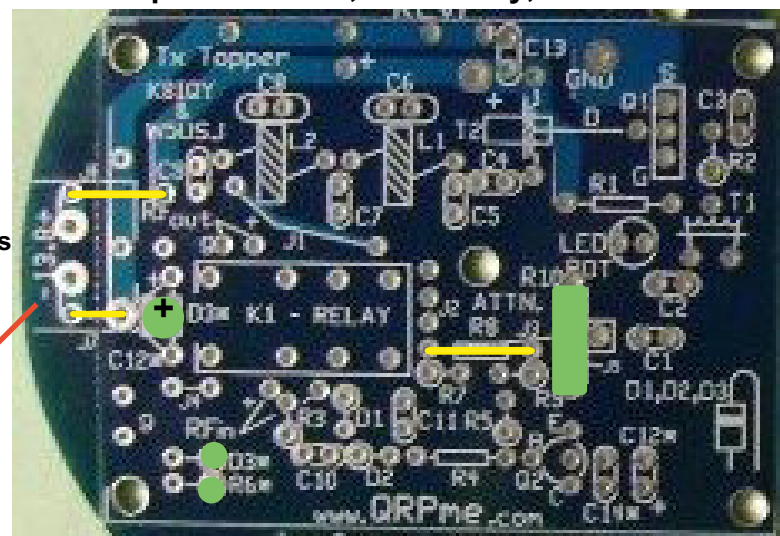
Transceiver, Slow Relay, Pad Attenuator



Transceiver, Fast Relay, Pot Attenuator



Separate TX/RX, Fast Relay, Pot Attenuator



Tuna Topper
Power Jumpers
Required for
All Config's

2-pin pwr
screw-clamp
connector