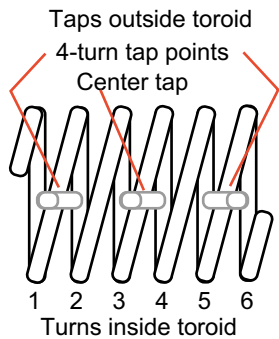
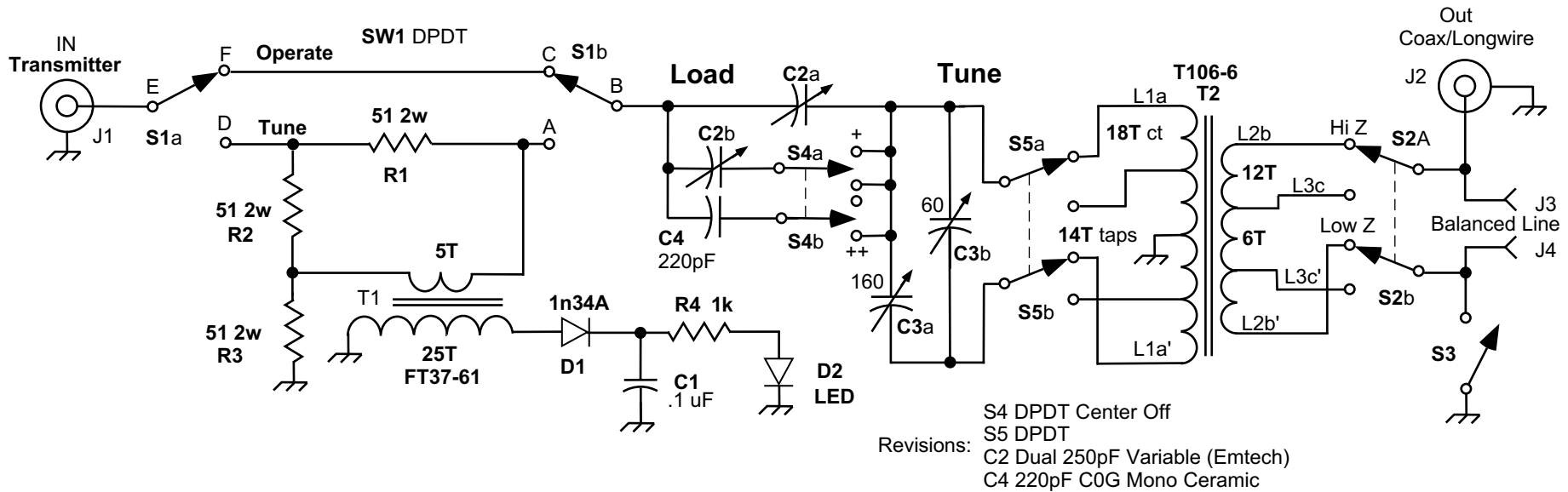


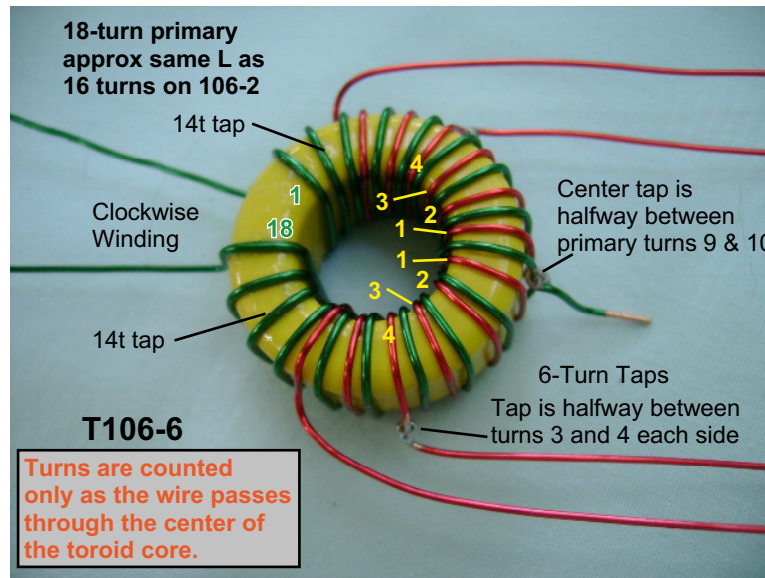
QRP Kits BLTplus Mods de W5USJ

Original BLT Designed by Charlie Lofgren, W6JJZ

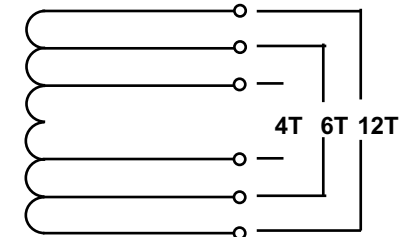


14 T Taps

Follow the wire around the core. The taps on top are between the second and third turns from the ends.



Tapped Secondary



The 4-turn tap may provide easier Low Z tuning but with somewhat reduced efficiency.