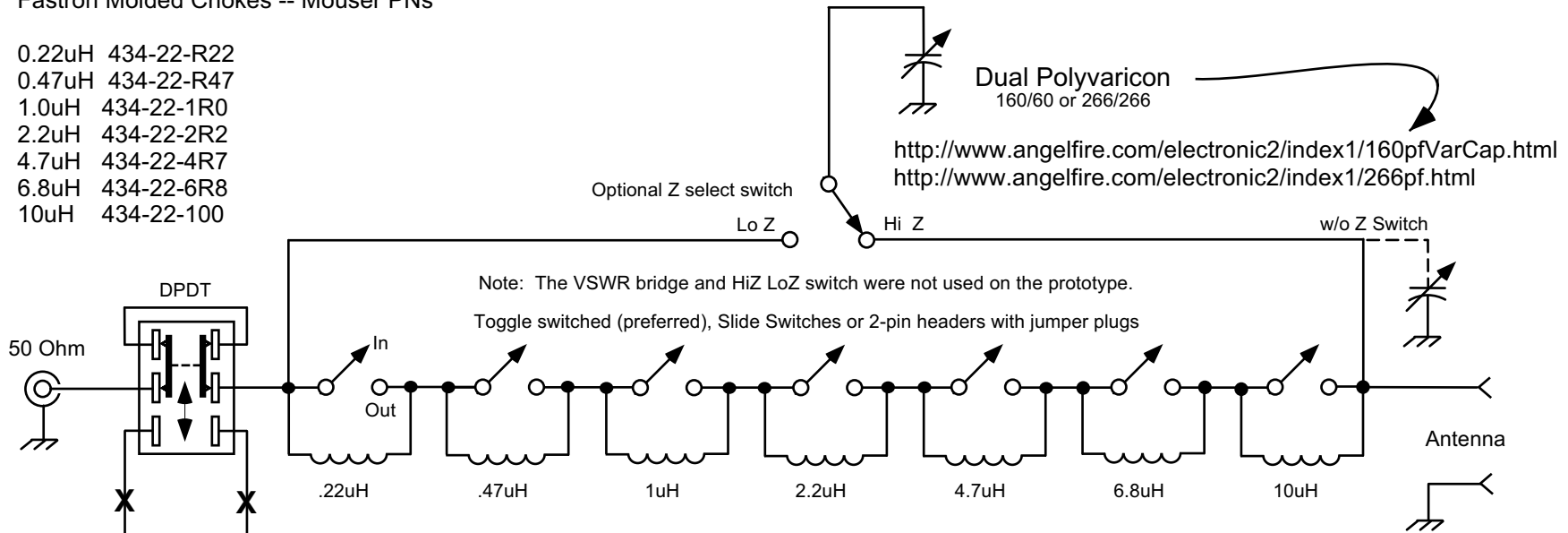


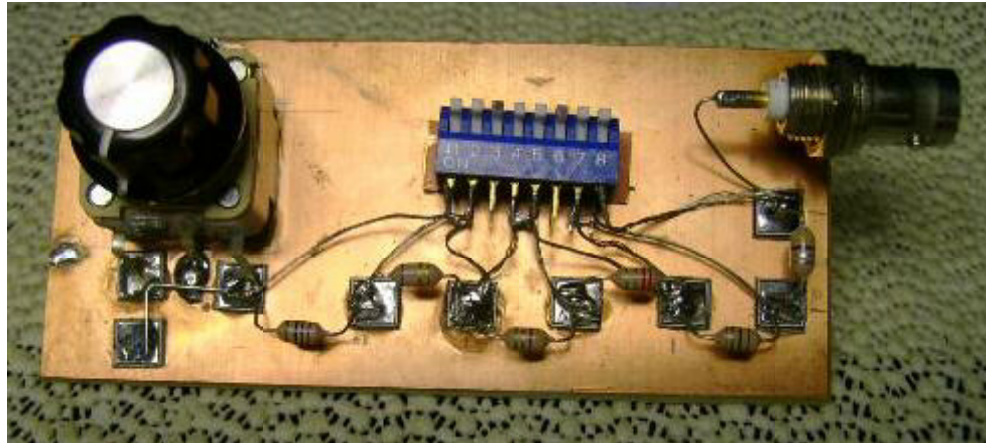
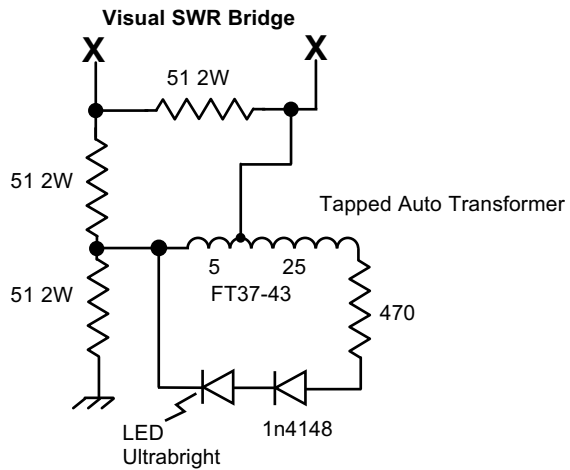
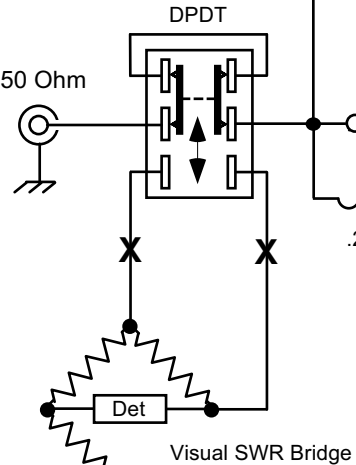
Fastron Molded Chokes -- Mouser PNs

- 0.22uH 434-22-R22
- 0.47uH 434-22-R47
- 1.0uH 434-22-1R0
- 2.2uH 434-22-2R2
- 4.7uH 434-22-4R7
- 6.8uH 434-22-6R8
- 10uH 434-22-100



Orient the chokes to minimize mutual coupling between the coils.

Prototype L-Tuner RFC



Long Wire Tuner using RF Chokes as inductors
Concept Drawing

W5USJ Drawing 31May '09